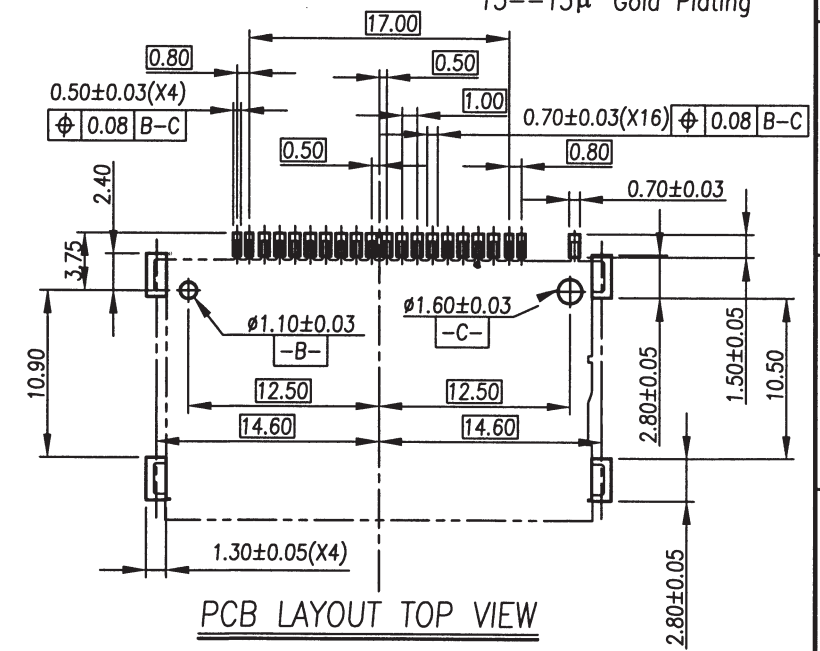
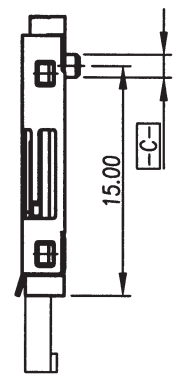
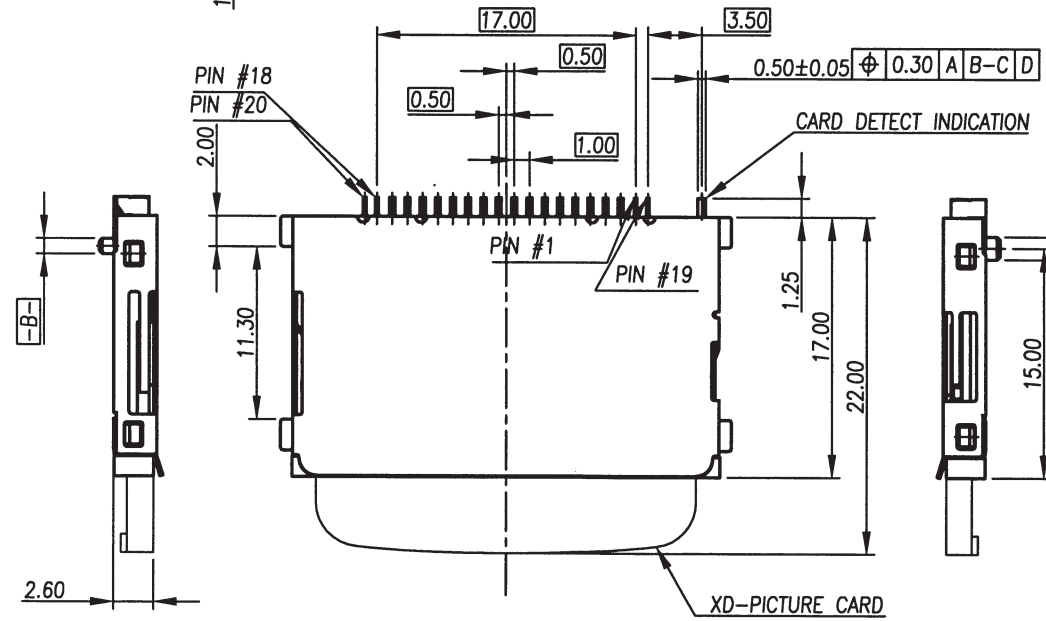
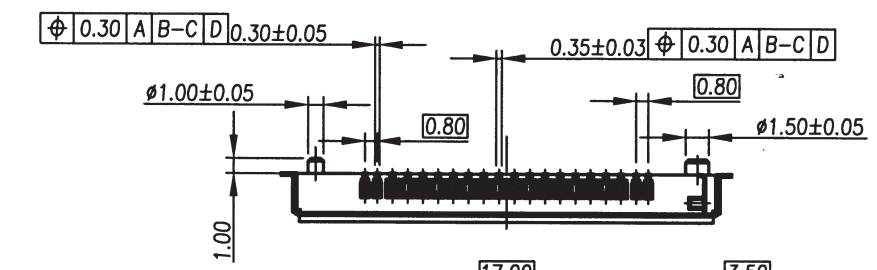


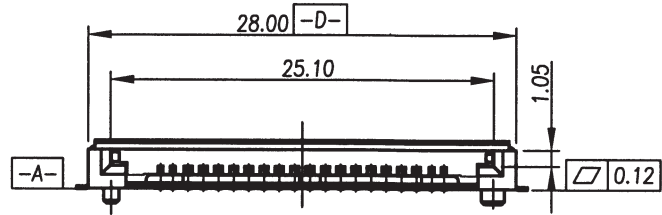
REV	MODIFICATION	DATE	DRAW
B	EN-03-0729	07/24/03"	JIM LIU
C	EN-04-0916	09/16/04"	JIM LIU

Ordering Information:  
**XDAMB-X21XXAOX0**

PLATING \_\_\_\_\_ PACKAGE  
 0 : TIN/LEAD PLATING 0: TRAY.  
 T : LEAD FREE 1: TAPE REEL  
 Contact Area Plating:  
 05-- 5μ" Gold Plating  
 10-- 10μ" Gold Plating  
 15-- 15μ" Gold Plating



PCB LAYOUT TOP VIEW



XD			
PIN	NAME	PIN	NAME
1	GND	11	D1
2	R/B#	12	D2
3	RE#	13	D3
4	CE#	14	D4
5	CLE	15	D5
6	ALE	16	D6
7	WE#	17	D7
8	WP#	18	VCC
9	GND	19	CD#
10	DO	20	NC

DIMENSION IN mm [Inch]		PROD. SPEC. SPO053
TOLERANCE UNLESS OTHERWISE SPECIFIED		PKG. SPEC. PPP-XDA-001
.X±0.30	X.±	APPROVE <i>[Signature]</i>
.XX±0.20	.X.±	CHECK 劉忠朋
.XXX±0.10	.XX.±	DRAW 劉忠朋

ALMITA CO., LTD.	
TITLE XD-PICTURE MEMORY CARD CONNECTOR TYPE A	CUSTOMER DRAWING
FILE NO. KFP-053	DWG NO. XDAMB-X21XXAOX0
SIZE A4	PROJ.  SHEET 1 / 1
	SCALE 2:1 REV C