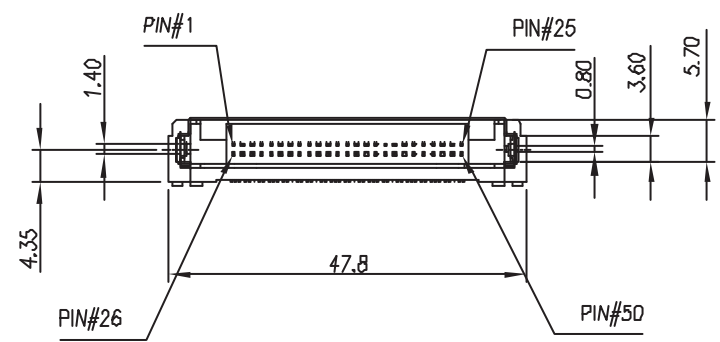
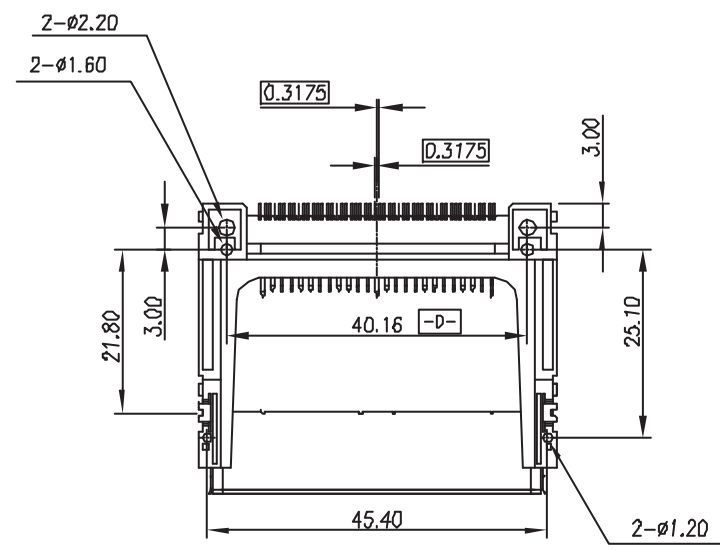
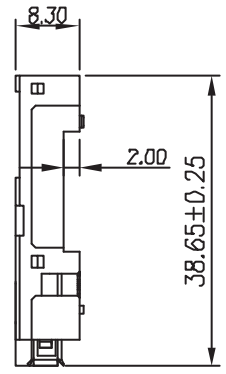
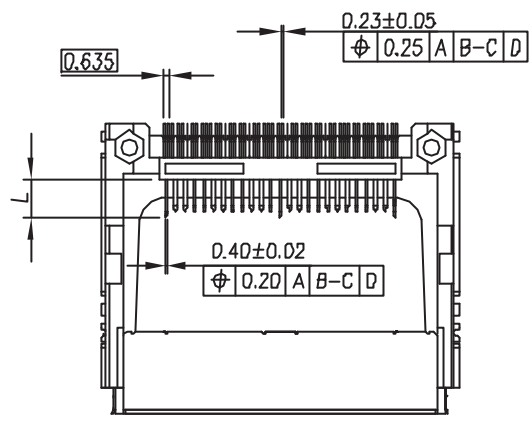
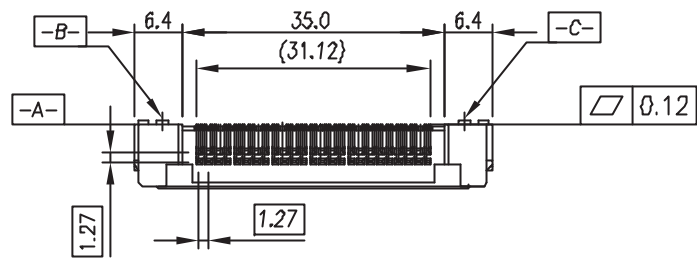
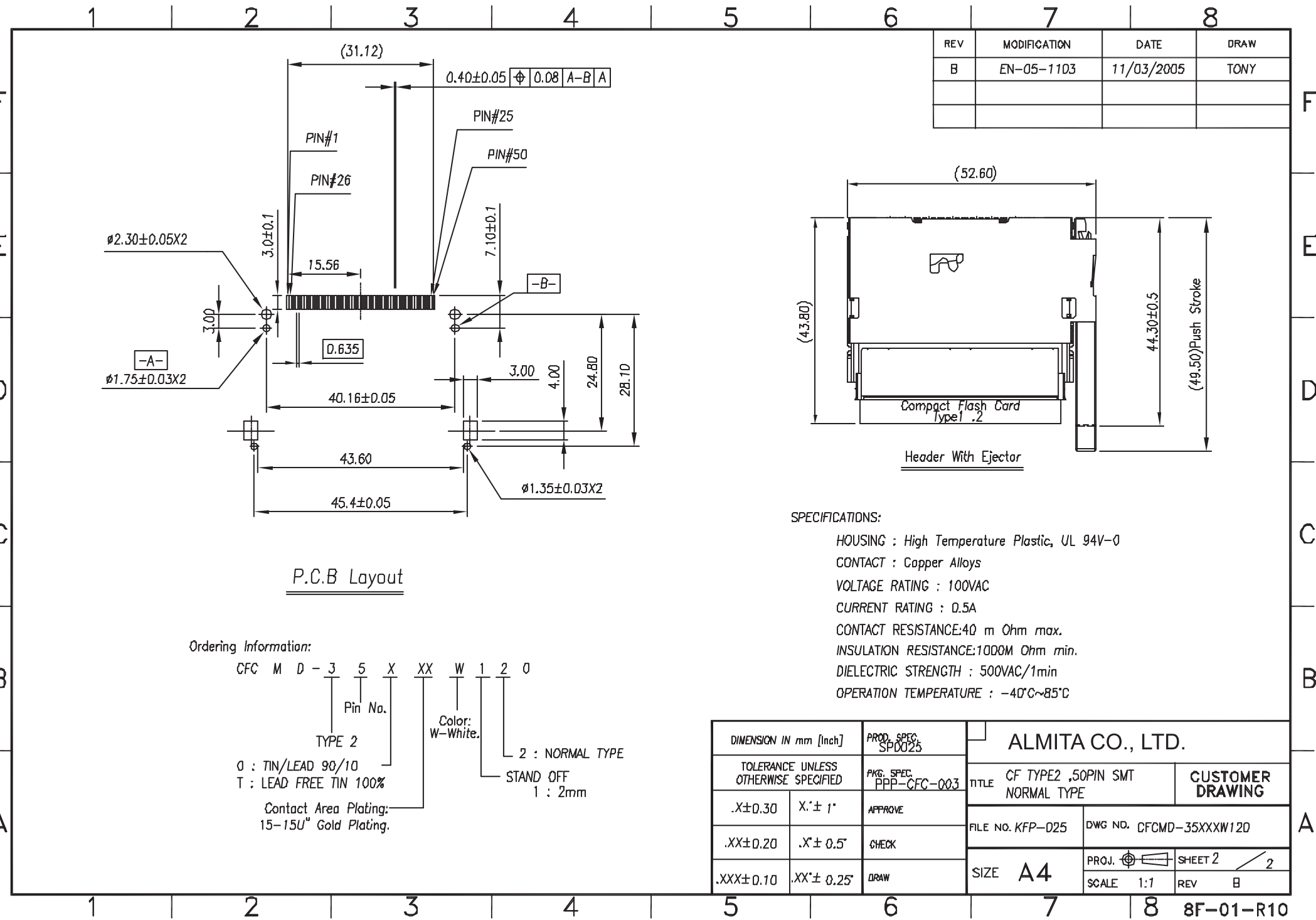


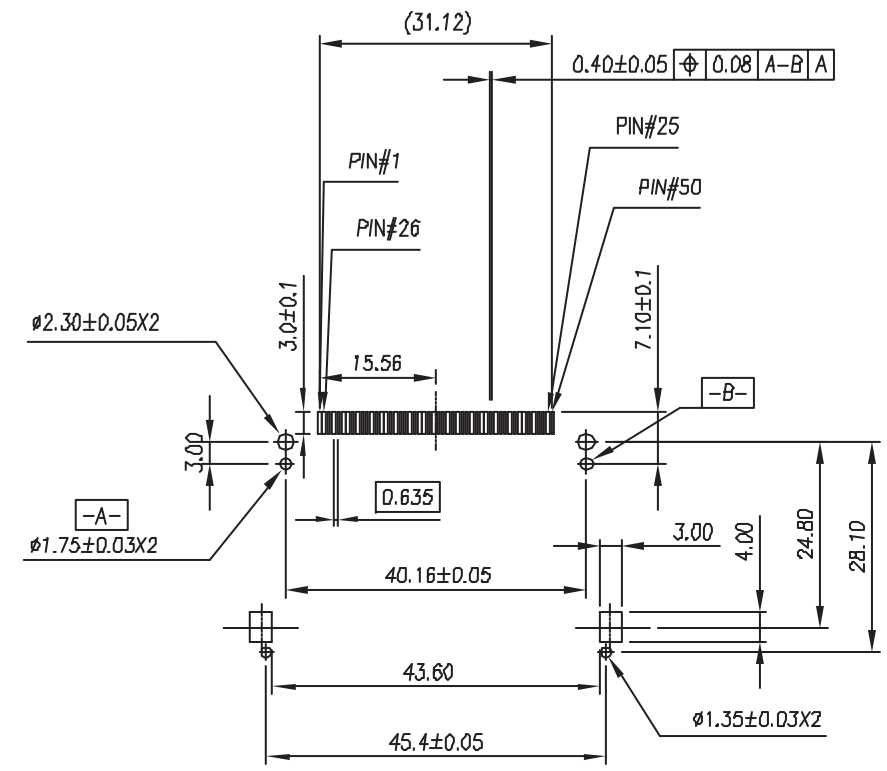
Pin Type	Interface Dim L	Pin Type	REV	MODIFICATION	DATE	DRAW
Detect	3.5 mm	25,26				
General	4.25 mm	All Other Pins				
Power	5.0 mm	1,13,38,50				



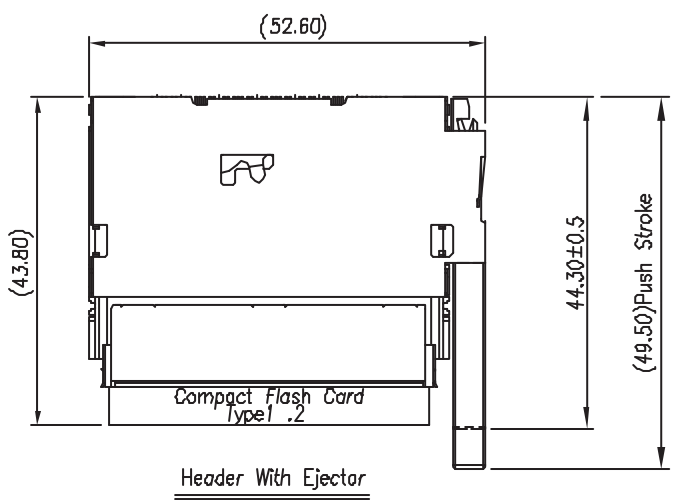
DIMENSION IN mm [Inch]		PROD. SPEC. SP-0025	ALMITA CO., LTD.	
TOLERANCE UNLESS OTHERWISE SPECIFIED		PKG. SPEC. PPP-CFC-003	TITLE CF TYPE2 ,50PIN SMT NORMAL TYPE	CUSTOMER DRAWING
.X±0.30	.X'± 1"	APPROVE	FILE NO. KFP-025	DWG NO. CFCMD-35XXXW120
.XX±0.20	.X'± 0.5"	CHECK	SIZE A4	PROJ.  SHEET 1 / 2
.XXX±0.10	.XX'± 0.25"	DRAW	SCALE 1:1	REV A



REV	MODIFICATION	DATE	DRAW
B	EN-05-1103	11/03/2005	TONY



P.C.B Layout



Header With Ejector

- SPECIFICATIONS:
- HOUSING : High Temperature Plastic, UL 94V-0
  - CONTACT : Copper Alloys
  - VOLTAGE RATING : 100VAC
  - CURRENT RATING : 0.5A
  - CONTACT RESISTANCE:40 m Ohm max.
  - INSULATION RESISTANCE:1000M Ohm min.
  - DIELECTRIC STRENGTH : 500VAC/1min
  - OPERATION TEMPERATURE : -40°C~85°C

Ordering Information:

CFC M D - 3 5 X XX W 1 2 0

Pin No. TYPE 2

Color: W-White.

1 : 2mm

2 : NORMAL TYPE

0 : TIN/LEAD 90/10

T : LEAD FREE TIN 100%

Contact Area Plating:  
15-15U" Gold Plating.

DIMENSION IN mm [Inch]		PROD. SPEC. SP0025	ALMITA CO., LTD.	
TOLERANCE UNLESS OTHERWISE SPECIFIED		PKG. SPEC. PPP-CFC-003		
.X ± 0.30	X.' ± 1"	APPROVE	TITLE CF TYPE2 ,50PIN SMT NORMAL TYPE	CUSTOMER DRAWING
.XX ± 0.20	.X' ± 0.5"	CHECK	FILE NO. KFP-025	DWG NO. CFCMD-35XXXW120
.XXX ± 0.10	.XX' ± 0.25"	DRAW	SIZE <b>A4</b>	PROJ.  SHEET 2 / 2
			SCALE 1:1	REV B