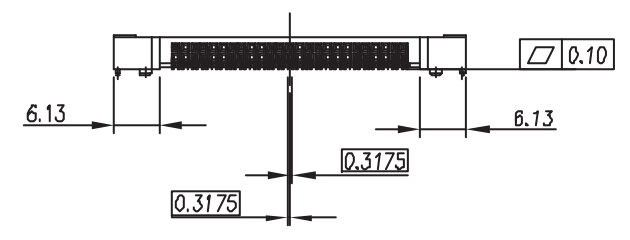
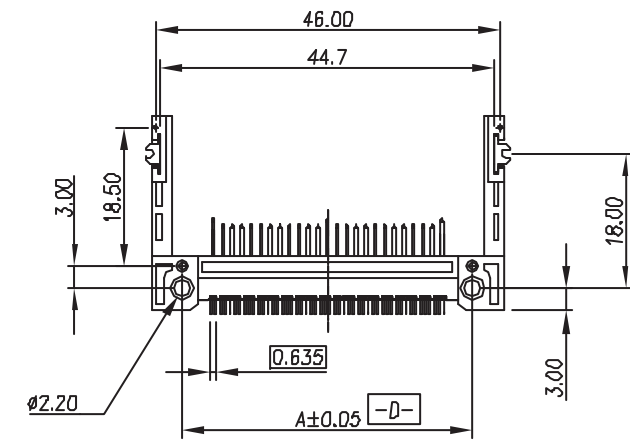
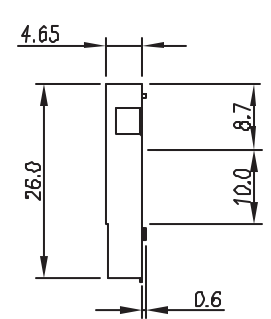
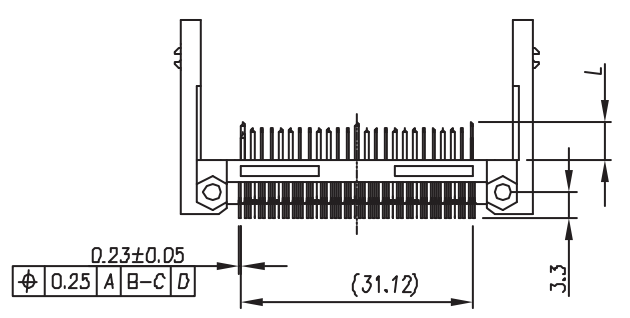
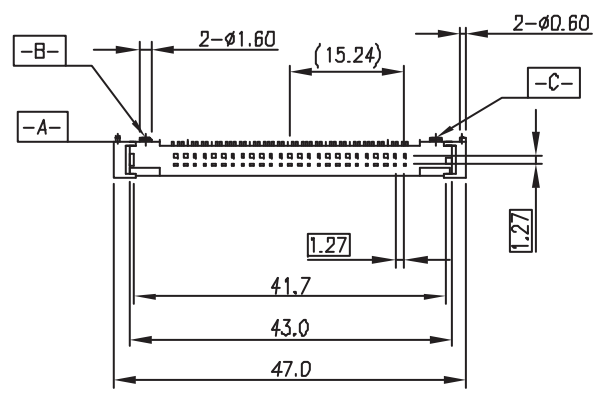
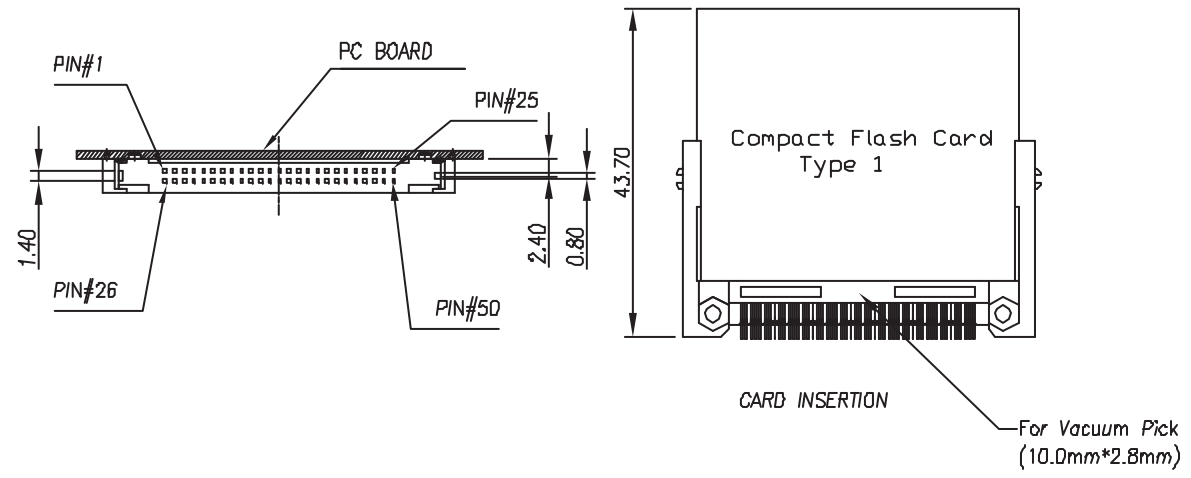


Pin Type	Interface Dim L	Pin Type	REV	MODIFICATION	DATE	DRAW
Detect	3.5 mm	25,26	D	EN-02-0906	09/04/02'	TOM
General	4.25 mm	All Other Pins	E	EN-04-0211	02/20/04'	TONY
Power	5.0 mm	1,13,38,5D	F	EN-05-1101	11/01/05'	TONY



DIMENSION IN mm [Inch]		PROD. SPEC. SP0028	ALMITA CO., LTD.	
TOLERANCE UNLESS OTHERWISE SPECIFIED		PKG. SPEC. PPP-CFC-004	CF CARD CONN.TYPE1	CUSTOMER DRAWING
.X±0.30	.X'± 1"	APPROVE	STAND-OFF 0.0mm REVERSE TYPE	
.XX±0.20	.X'± 0.5"	CHECK	FILE NO. KFP-D28	DWG NO. CFCMD-45XXXW01X
.XXX±0.10	.XX'± 0.25"	DRAW	SIZE <b>A4</b>	PROJ.  SHEET 1 / 2
			SCALE 1:1	REV F

REV	MODIFICATION	DATE	DRAW
D	EN-02-0906	09/04/02'	TOM
E	EN-04-0211	02/20/04'	TONY
F	EN-05-1107	11/01/05'	TONY

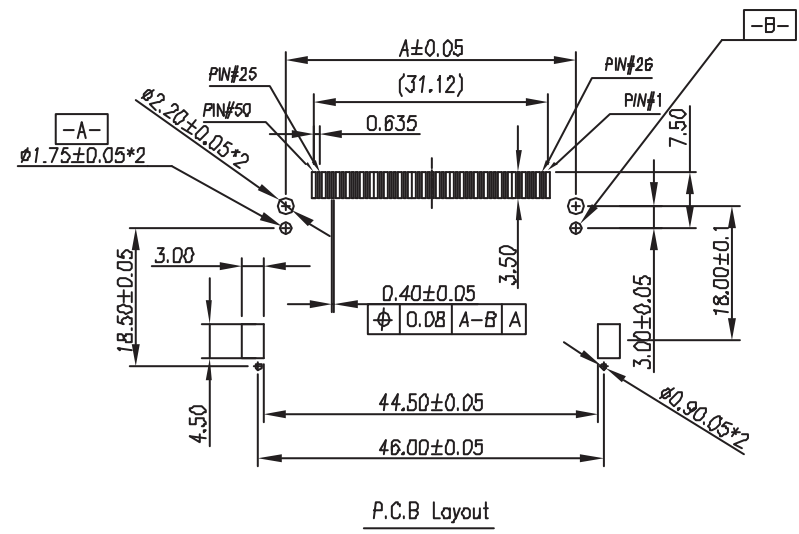


Ordering Information:

CFC M D -4 5 X XX W 0 1 X

TYPE 1(SLIM) ————  
 Pin No. 50 Position  
 Color: W--White.  
 0 : TIN/LEAD 90/10  
 T : LEAD FREE TIN 100%  
 0 : STANDOFF 0mm  
 1 : REVERSE TYPE

CONTACT AREA PLATING:  
 15--15U" Gold Plating.  
 30--30U" Gold Plating.



SPECIFICATIONS:

HOUSING : High Temperature Plastic, UL 94V-0  
 CONTACT : Copper Alloys  
 VOLTAGE RATING : 10DVAC  
 CURRENT RATING : 0.5A  
 CONTACT RESISTANCE:40 m Ohm max.  
 INSULATION RESISTANCE:1000M Ohm min.  
 DIELECTRIC STRENGTH : 500VAC/1min  
 OPERATION TEMPERATURE : -40°C~85°C

DIMENSION IN mm [Inch]		PROD. SPEC. SP0028	ALMITA CO., LTD.	
TOLERANCE UNLESS OTHERWISE SPECIFIED		PKG. SPEC. PPP-CFC-004	CF CARD CONN.TYPE1	CUSTOMER DRAWING
.X±0.30	.X'± 1"	APPROVE	STAND-OFF 0.0mm REVERSE TYPE	
.XX±0.20	.X'± 0.5"	CHECK	FILE NO. KFP-D28	DWG NO. CFCMD-45XXXW01X
.XXX±0.10	.XX'± 0.25"	DRAW	SIZE A4	PROJ. SHEET 2 / 2
			SCALE 1:1	REV F