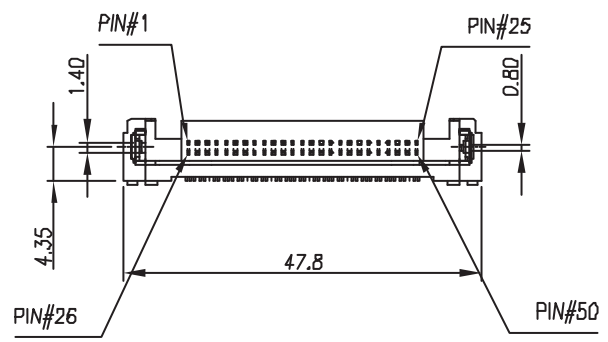
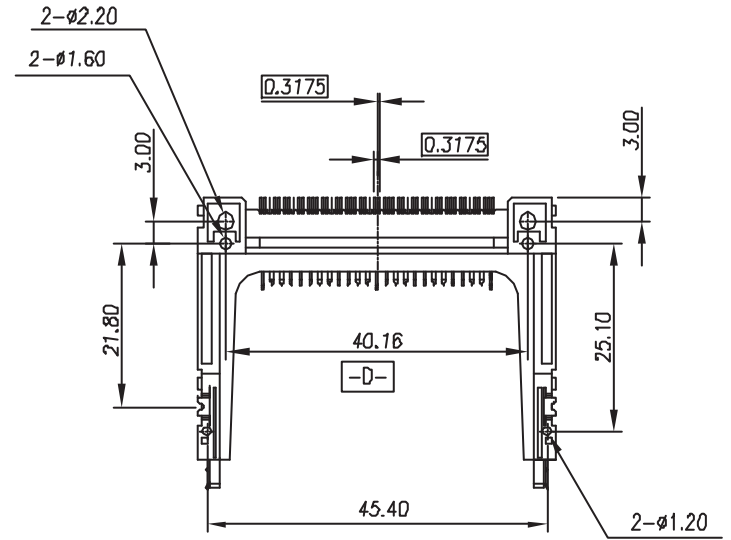
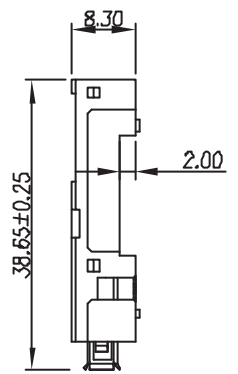
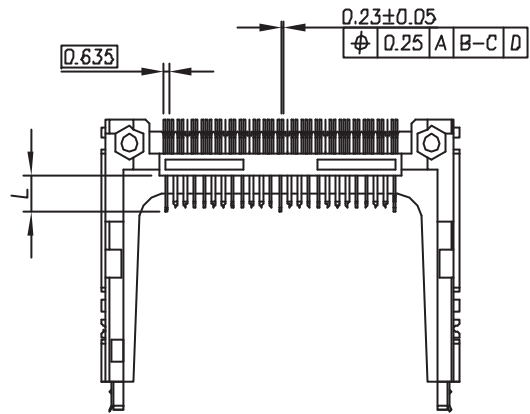
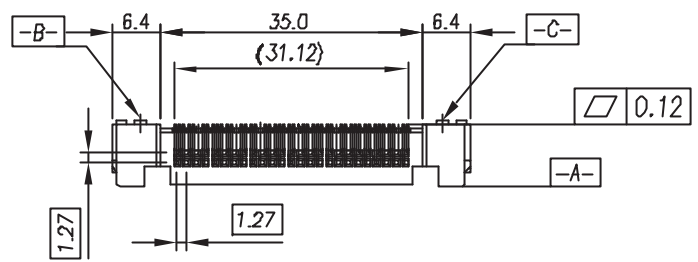


Pin Type	Interface Dim L	Pin Type	REV	MODIFICATION	DATE	DRAW
Detect	3.5 mm	25,26	B	EN-02-0129	1/16	JACK
General	4.25 mm	All Other Pins	C	EN-02-0317	3/18	JACK
Power	5.0 mm	1,13,38,50	D	EN-05-0805	8/4/2005	TONY



Ordering Information:

CFC M D - 3 5 X XX W 1 0 D

Pin No.  
TYPE 2

Color:  
W-White.

D : NORMAL TYPE  
STAND OFF  
1 : 2.0mm

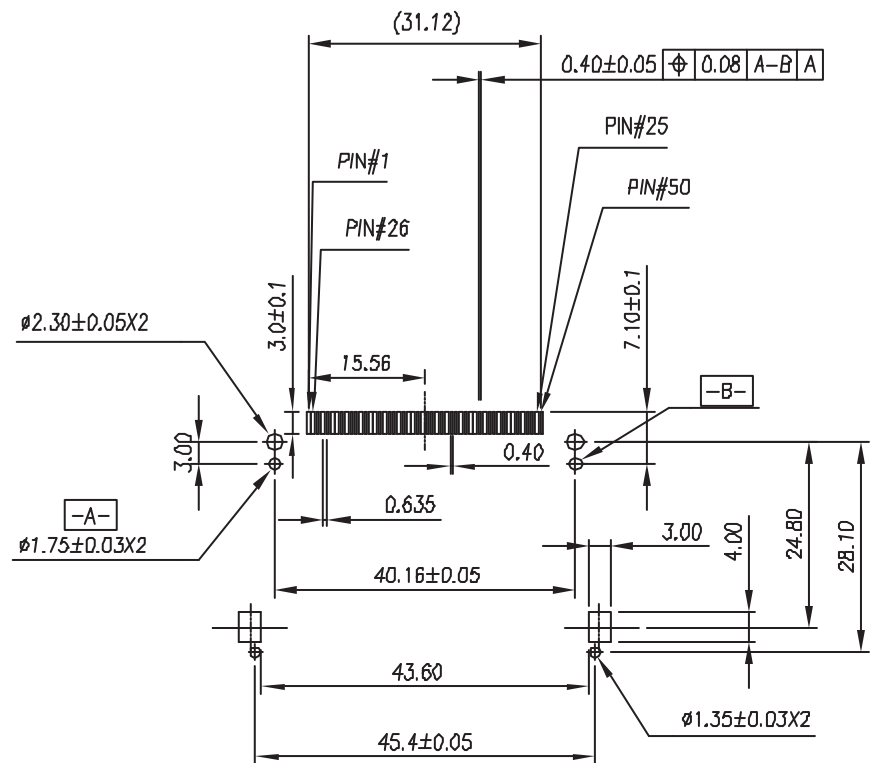
0 : TIN/LEAD 90/10  
T : LEAD FREE TIN 100%

Contact Area Plating:  
15-15U\* Gold Plating.

DIMENSION IN mm [Inch]		PROD. SPEC SP0025		ALMITA CO., LTD.	
TOLERANCE UNLESS OTHERWISE SPECIFIED		PKG. SPEC PPP-CFC-003		TITLE CF TYPE2 ,50PIN SMT NORMAL TYPE	
.X±0.30 X.'± 1'		APPROVE		CUSTOMER DRAWING	
.XX±0.20 .X'± 0.5'		CHECK		FILE NO. KFP-025 DWG NO. CFCMD-35XXXW100	
.XXX±0.10 .XX'± 0.25'		DRAW		SIZE A4	
				PROJ. SHEET 1 / 2	
				SCALE 1:1 REV D	

1 2 3 4 5 6 7 8

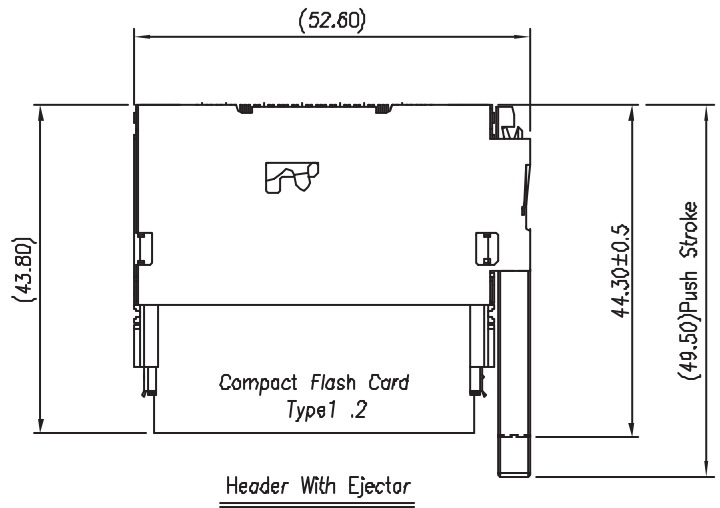
REV	MODIFICATION	DATE	DRAW
B	EN-02-D129	1/16	JACK
C	EN-02-D317	3/18	JACK
D	EN-05-0805	8/4/2005	TONY



P.C.B Layout

Ordering Information:

CFC M D - 3 5 X XX W 1 D 0  
 Pin No. TYPE 2  
 Color: W-White.  
 D : NORMAL TYPE  
 STAND OFF 1 : 2.0mm  
 0 : TIN/LEAD 90/10  
 T : LEAD FREE TIN 100%  
 Contact Area Plating:  
 15-15U\* Gold Plating.



Header With Ejector

SPECIFICATIONS:

- HOUSING : High Temperature Plastic, UL 94V-0
- CONTACT : Copper Alloys
- VOLTAGE RATING : 100VAC
- CURRENT RATING : 0.5A
- CONTACT RESISTANCE: 40 m Ohm max.
- INSULATION RESISTANCE: 1000M Ohm min.
- DIELECTRIC STRENGTH : 500VAC/1min
- OPERATION TEMPERATURE : -40°C~85°C

DIMENSION IN mm [Inch]		PROD. SPEC. SPD025	ALMITA CO., LTD.	
TOLERANCE UNLESS OTHERWISE SPECIFIED		PKG. SPEC. PPP-CFC-003	TITLE CF TYPE2 ,50PIN SMT NORMAL TYPE	CUSTOMER DRAWING
.X±0.30	X.'± 1"	APPROVE	FILE NO. KFP-D25	DWG NO. CFCMD-35XXXW100
.XX±0.20	.X'± 0.5"	CHECK	SIZE <b>A4</b>	
.XXX±0.10	.XX'± 0.25"	DRAW	PROJ.	SHEET 2 / 2
			SCALE 1:1	REV D