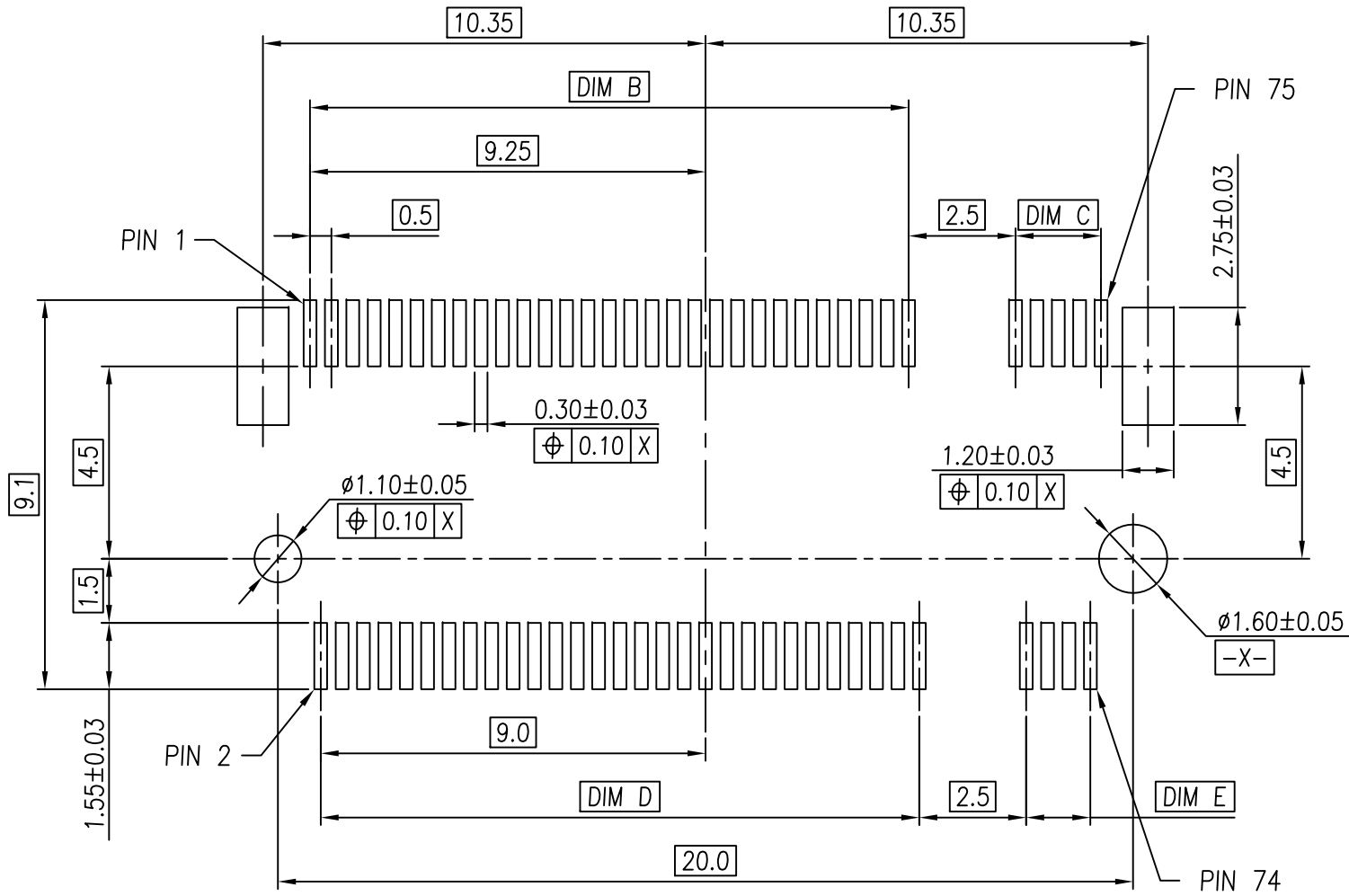
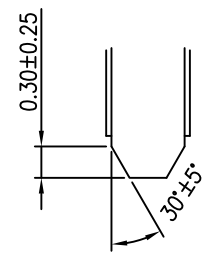
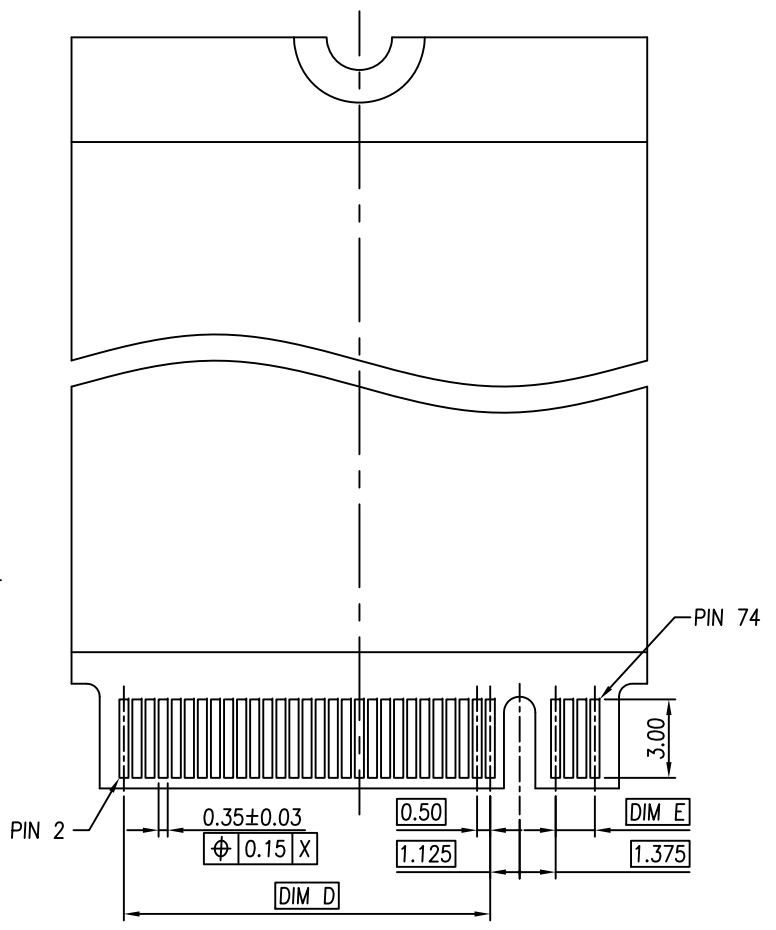
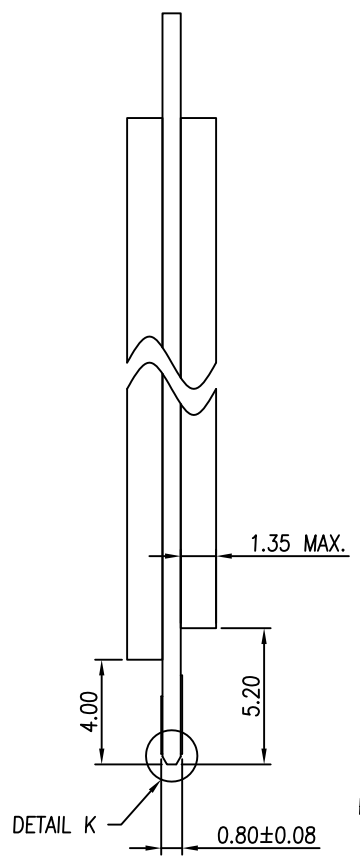
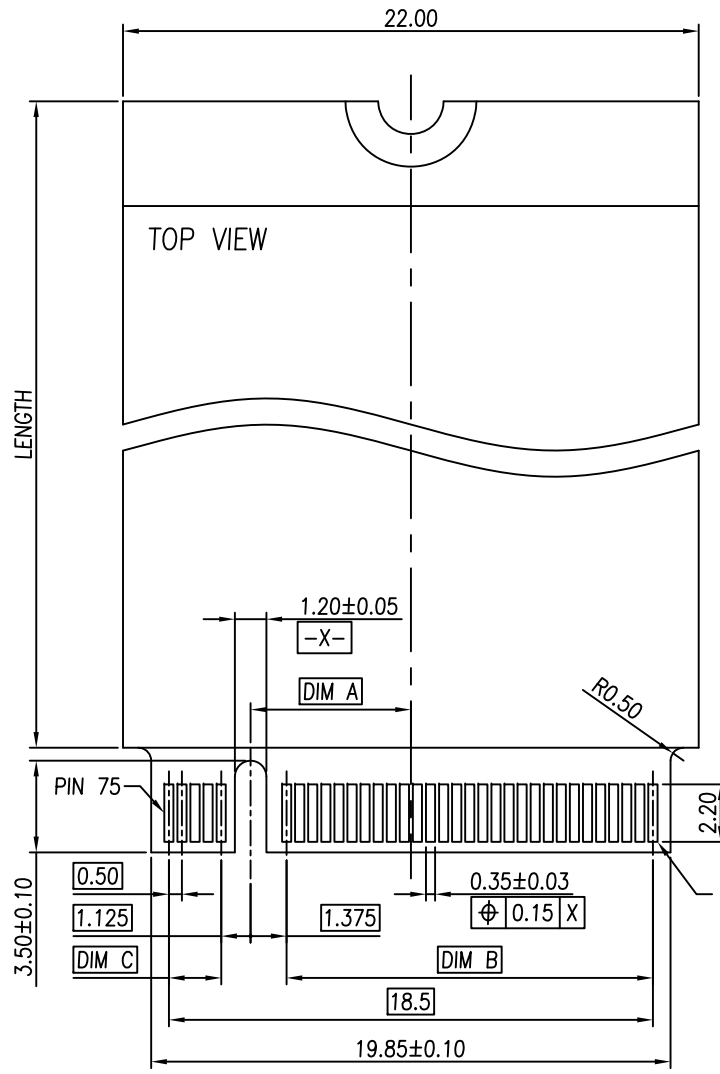


RECOMMENDED OPERATING FLOW:  
MATE: 1  
UNMATE: 2

				TOLERANCE				TITLE: M.2 CONN. P=0.5mm 3.2mm H			
				LINEAR	ANGLES			PART NO. BL302-067RXX			
				X.±0.40	X'±			DWG NO. C-302			
				.X±0.30	.X'±	APPD: Jason	MAT'L:				
				A XX±0.20	.XX'±	CHKD: Schumi	FINISH:				
				REV ECN NO.	.XXX±0.10	DRWN: Terry	Q'TY:				
				NAME	.XXX'±						
				DATE							
								UNITS	SCALE	SHEET	REV
								MM	1 : 1	1 OF 4	A



				TOLERANCE				TITLE: M.2 CONN. P=0.5mm 3.2mm H					
				LINEAR	ANGLES			PART NO. BL302-067RXX					
				X.±0.40	X'±			DWG NO. C-302					
				.X±0.30	.X'±	APPD: Jason	MAT'L:						
				.XX±0.20	.XX'±	CHKD: Schumi	FINISH:						
REV	ECN NO.	NAME	DATE	.XXX±0.10	.XXX'±	DRWN: Terry	Q'TY:			UNITS: MM	SCALE: 1 : 1	SHEET: 2 OF 4	REV: A



DETAIL K  
SCALE: 4:1

TOLERANCE				TITLE: M.2 CONN. P=0.5mm 3.2mm H			
LINEAR	ANGLES			PART NO. BL302-067RXX			
X.±0.40	X'±	APPD:	Jason	MAT'L:	DWG NO. C-302		
.X±0.30	.X'±	CHKD:	Schumi	FINISH:	UNITS	SCALE	SHEET
.XX±0.20	.XX'±	DRWN:	Terry	Q'TY:	MM	1 : 1	3 OF 4
.XXX±0.10	.XXX'±					REV	A

REV	ECN NO.	NAME	DATE
	SEE SHEET 1		

NOTES:

1. MATERIAL :
  - 1.1 HOUSING: THERMOPLASTIC, HIGH TEMPERATURE,  
UL94 V-0, COLOR: BLACK.
  - 1.2 CONTACT: COPPER ALLOY.
  - 1.3 FITTING NAIL: COPPER ALLOY.
2. FINISH :
  - 2.1 CONTACT  
[SEE TABLE] GOLD PLATING ON THE CONTACT AREA.  
GOLD FLASH PLATING ON THE SOLDERING AREA.  
1.27um~2.54um [50u"~100u"] MIN. NICKEL UNDERPLATING OVERALL.
  - 2.2 FITTING NAIL  
2.54um~5.08um [100u"~200u"] MIN. MATTE-TIN PLATING ON THE SOLDERING AREA.  
1.27um~2.54um [50u"~100u"] MIN. NICKEL UNDERPLATING OVERALL.
3. PACKAGING SPEC.: K-M2-401

PART NO.:

BL302 - 067 R X X

67 CONTACTS

PACKING OPTIONS  
R: TAPE & REEL

KEY ID OPTIONS  
A, B, C, D, E, F  
G, H, J, K, L, M

CONTACT AREA PLATING  
2: GOLD FLASH  
C: 15u" GOLD  
D: 30u" GOLD

9.5	6.0	9.5	6.5	-1.625	F
10.5	5.0	10.5	5.5	-2.625	E
11.5	4.0	11.5	4.5	-3.625	D
12.5	3.0	12.5	3.5	-4.625	C
13.5	2.0	13.5	2.5	-5.625	B
14.5	1.0	14.5	1.5	-6.625	A
DIM. E	DIM. D	DIM. C	DIM. B	DIM. A	KEY ID

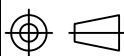
1.5	14.0	2.0	14.0	6.125	M
2.5	13.0	3.0	13.0	5.125	L
3.5	12.0	4.0	12.0	4.125	K
4.5	11.0	5.0	11.0	3.125	J
5.5	10.0	6.0	10.0	2.125	H
6.5	9.0	7.0	9.0	1.125	G
DIM. E	DIM. D	DIM. C	DIM. B	DIM. A	KEY ID

TOLERANCE	
LINEAR	ANGLES
X.±0.40	X'±
.X±0.30	.X'±
.XX±0.20	.XX'±
.XXX±0.10	.XXX'±

TITLE: M.2 CONN. P=0.5mm  
3.2mm H

PART NO. BL302-067RXX

DWG NO. C-302

REV	SEE SHEET 1	NAME	DATE	APPD: Jason	MAT'L:		UNITS	SCALE	SHEET	REV
ECN NO.				CHKD: Schumi	FINISH:		MM	1 : 1	4 OF 4	A