

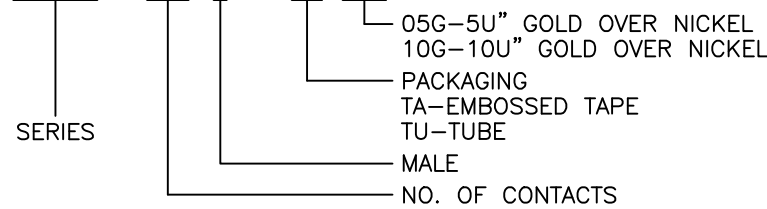
REV.	ECN NO.	DATE
A	RELEASED	2004.02.10

NOTE:

- 1.MATERIAL:  
HOUSING:THERMOPLASTIC  
CONTACTS:COPPER ALLOY
- 2.PLATING:SEE ORDERING INFORMATION
- 3.PART NO.:

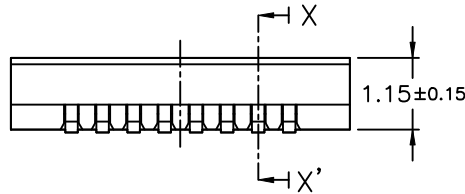
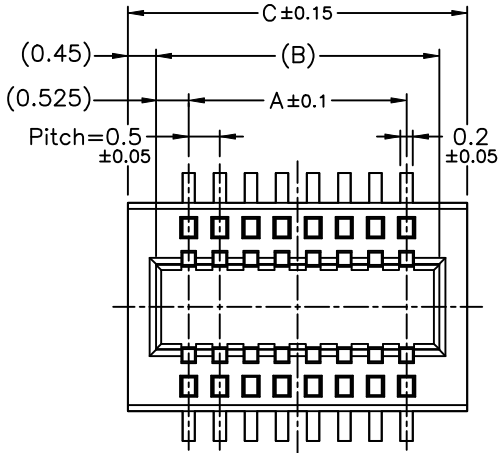
**LEAD FREE**

BB515- xxx M - xx xxx

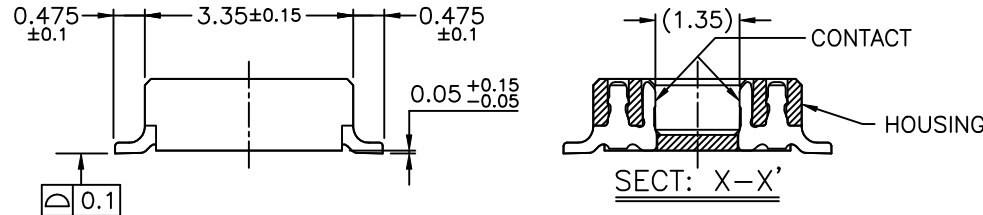
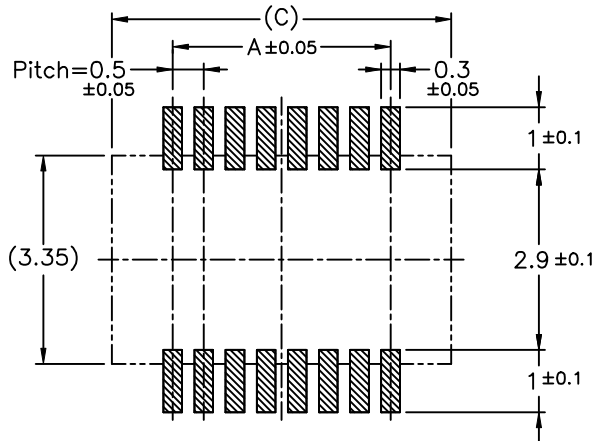


4.RATING:

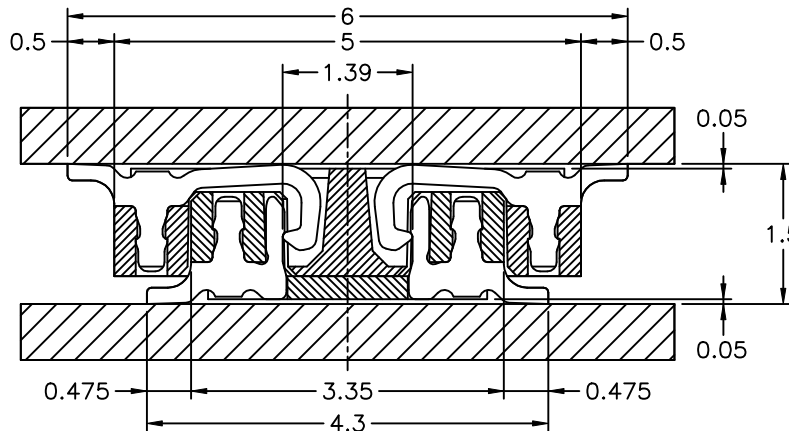
OPERATING VOLTAGE:50V  
CURRENT RATING:0.5A  
OPERATING TEMPERATURE:-25°C ~ +85°C



PCB Layout



MATED DRAWING(REF.)



SCALE: 12/1

No. of Contacts	Catalog No.	DIM. A	DIM. B	DIM. C
10	BB515-010M	2	3.05	3.95
12	BB515-012M	2.5	3.55	4.45
14	BB515-014M	3	4.05	4.95
16	BB515-016M	3.5	4.55	5.45
18	BB515-018M	4	5.05	5.95
20	BB515-020M	4.5	5.55	6.45
22	BB515-022M	5	6.05	6.95
24	BB515-024M	5.5	6.55	7.45
26	BB515-026M	6	7.05	7.95
28	BB515-028M	6.5	7.55	8.45
30	BB515-030M	7	8.05	8.95
32	BB515-032M	7.5	8.55	9.45
34	BB515-034M	8	9.05	9.95
36	BB515-036M	8.5	9.55	10.45
38	BB515-038M	9	10.05	10.95
40	BB515-040M	9.5	10.55	11.45
42	BB515-042M	10	11.05	11.95
44	BB515-044M	10.5	11.55	12.45
46	BB515-046M	11	12.05	12.95
48	BB515-048M	11.5	12.55	13.45
50	BB515-050M	12	13.05	13.95
52	BB515-052M	12.5	13.55	14.45
54	BB515-054M	13	14.05	14.95
56	BB515-056M	13.5	14.55	15.45
58	BB515-058M	14	15.05	15.95
60	BB515-060M	14.5	15.55	16.45
62	BB515-062M	15	16.05	16.95
64	BB515-064M	15.5	16.55	17.45
66	BB515-066M	16	17.05	17.95
68	BB515-068M	16.5	17.55	18.45
70	BB515-070M	17	18.05	18.95
72	BB515-072M	17.5	18.55	19.45
74	BB515-074M	18	19.05	19.95
76	BB515-076M	18.5	19.55	20.45
78	BB515-078M	19	20.05	20.95
80	BB515-080M	19.5	20.55	21.45
82	BB515-082M	20	21.05	21.95
84	BB515-084M	20.5	21.55	22.45
86	BB515-086M	21	22.05	22.95
88	BB515-088M	21.5	22.55	23.45
90	BB515-090M	22	23.05	23.95
92	BB515-092M	22.5	23.55	24.45
94	BB515-094M	23	24.05	24.95
96	BB515-096M	23.5	24.55	25.45
98	BB515-098M	24	25.05	25.95
100	BB515-100M	24.5	25.55	26.45

TOLERANCE UNLESS SPECIFIED		SHEET	DR. BY Bonnie LI	MATERIAL SEE NOTE 1
LINEAR	ANGLE	SCALE 8/1	CHK. BY S.T.LIN	FINISH SEE NOTE 2
.X	.X°	UNIT mm	APP. BY S.T.LIN	PART NO. SEE NOTE 3
.XX	.X°			
.XXX	.XX°			



TITLE 0.5mm Pitch B-T0-B Connector  
DWG NO.C1/BOOK/BOOK/BB515/HP-ND