

NOTE:

1.MATERIAL:
HOUSING:LCP(UL94V-0)
ACTUATOR:LCP(UL94V-0)
TERMINAL:PHOSPHOR BRONZE

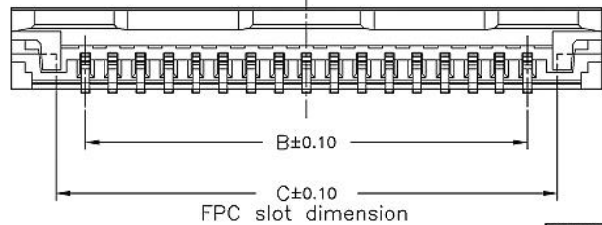
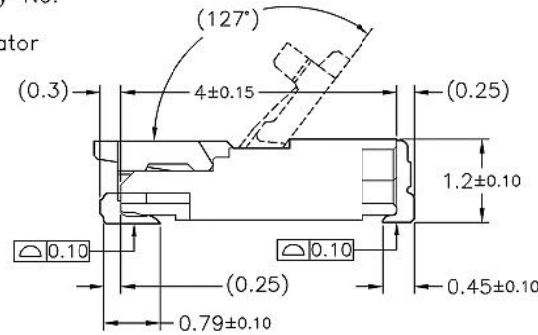
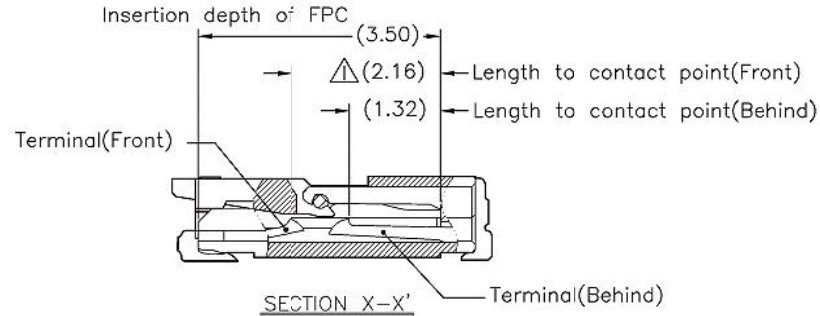
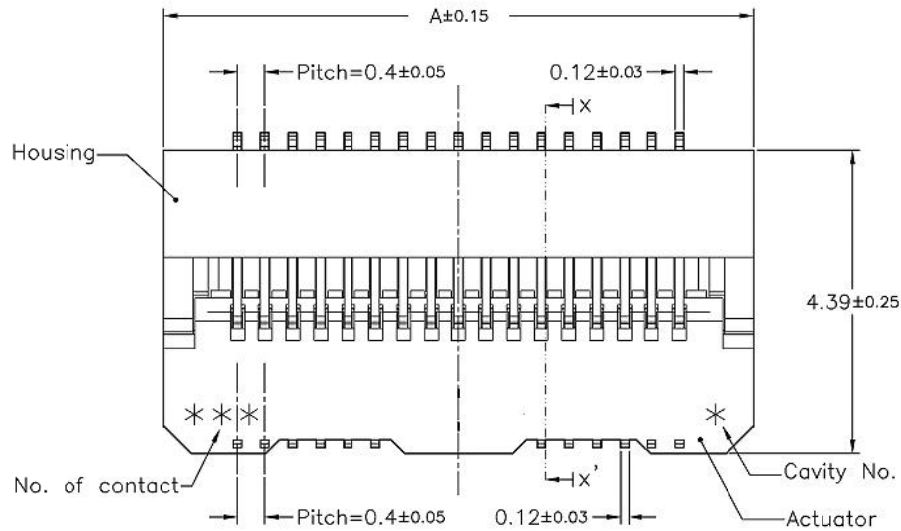
2.PART NO. :

BL140- xxx RL - TA x Δ
 SERIES PACKAGE
 TA-EMBOSSED TAPE
 RIGHT ANGLE(LOWER CONTACT TYPE)
 NO. OF CONTACTS

3.RATING:

OPERATING VOLTAGE:40V
 CURRENT RATING:0.25A
 OPERATING TEMPERATURE:-55°C ~ +85°C
 OPERATING HUMIDITY RANGE:RELATIVE HUMIDITY 90% MAX
 (NO CONDENSATION)
 STORAGE TEMPERATURE RANGE:-10°C ~ +50°C
 STORAGE HUMIDITY RANGE:RELATIVE HUMIDITY 90% MAX
 (NO CONDENSATION)

REV.	ECD NO.	DATE	SIGN	DESCRIPTION
H	EC0100105	20100114	Johnny	新規格方式 : s
I	ECN100315	20100414	Johnny	1. GREAT CARTON DRAWING 2. MODIFY TERMINAL(FRONT) DIM.
J	ECN100507	20100507	Johnny	Modify drawing.

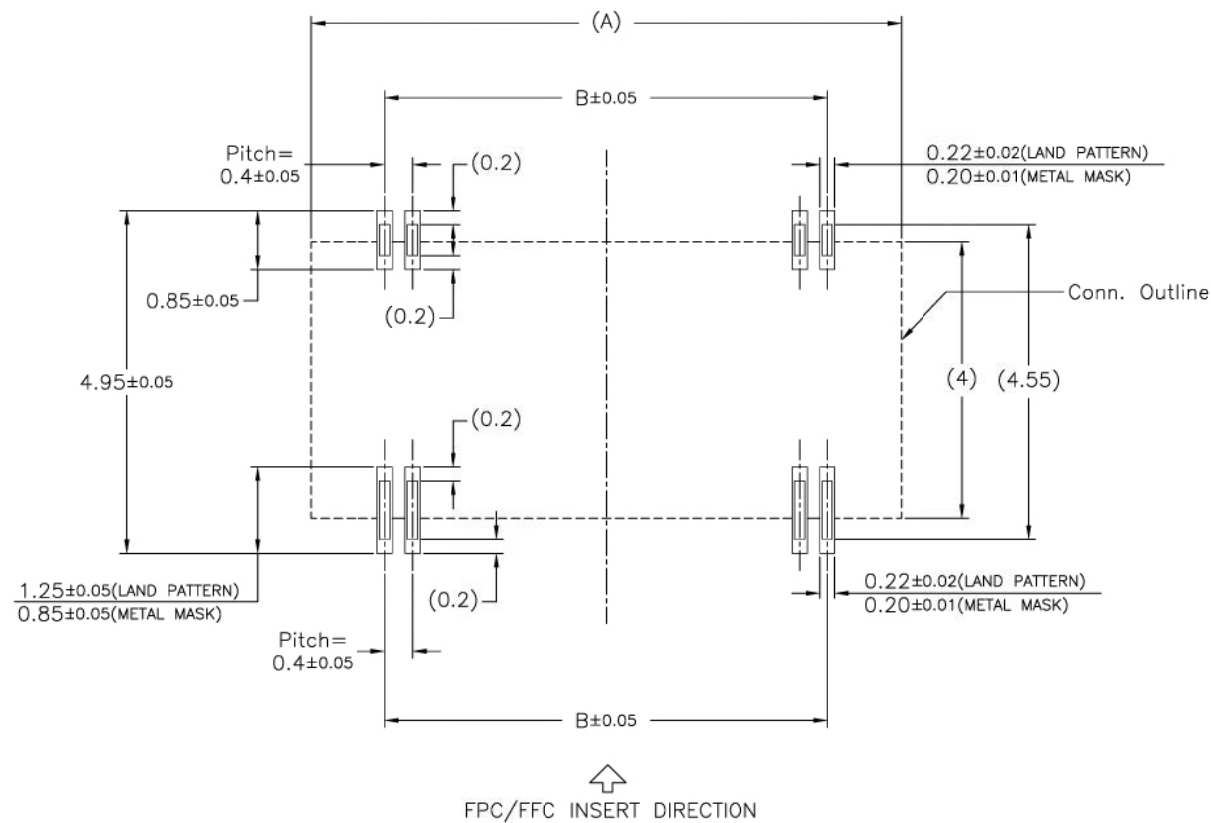


No.of Contacts	Part Number	DIM. A	DIM. B	DIM. C
024	BL140-024RL	6.54	4.4	5.27
034	BL140-034RL	8.54	6.4	7.27
040	BL140-040RL	9.74	7.6	8.47
044	BL140-044RL	10.54	8.4	9.27
050	BL140-050RL	11.74	9.6	10.47
060	BL140-060RL	13.74	11.6	12.47
068	BL140-068RL	15.34	13.2	14.07
070	BL140-070RL	15.74	13.6	14.47
080	BL140-080RL	17.74	15.6	16.47
090	BL140-090RL	19.74	17.6	18.47
100	BL140-100RL	21.74	19.6	20.47
120	BL140-120RL	25.74	23.6	24.47

TOLERANCE UNLESS SPECIFIED	SHEET 1/5	DR. BY Johnny	MATERIAL See Note 1.
LINEAR	SCALE 10/1	CHK. BY Robbie	FINISH See Note 2.
ANGLE	UNIT mm	APP. BY Robbie	PART NO. See Note 2.

TITLE	0.2 Pitch, H=1.2mm FPC Conn.
DWG NO.	BL140-xxxRL-TAx

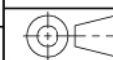
REV.	ECO NO.	DATE	SIGN	DESCRIPTION
H	ECO100105	20100114	Johnny	請參閱電路方式 : s
I	ECN100315	20100414	Johnny	1. GREAT CARTON DRAWING 2. MODIFY TERMINAL(FRONT) DIM.
J	ECN100507	20100507	Johnny	Modify drawing.



PCB Layout

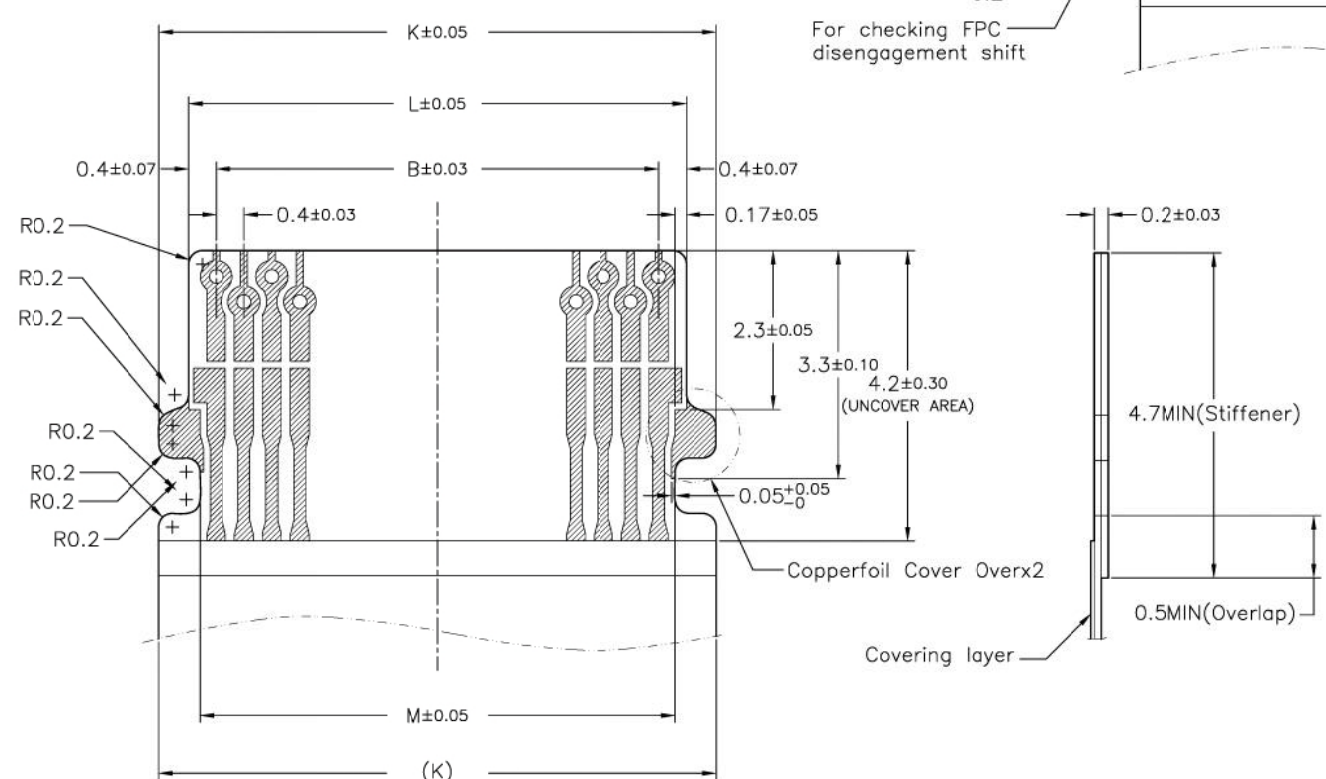
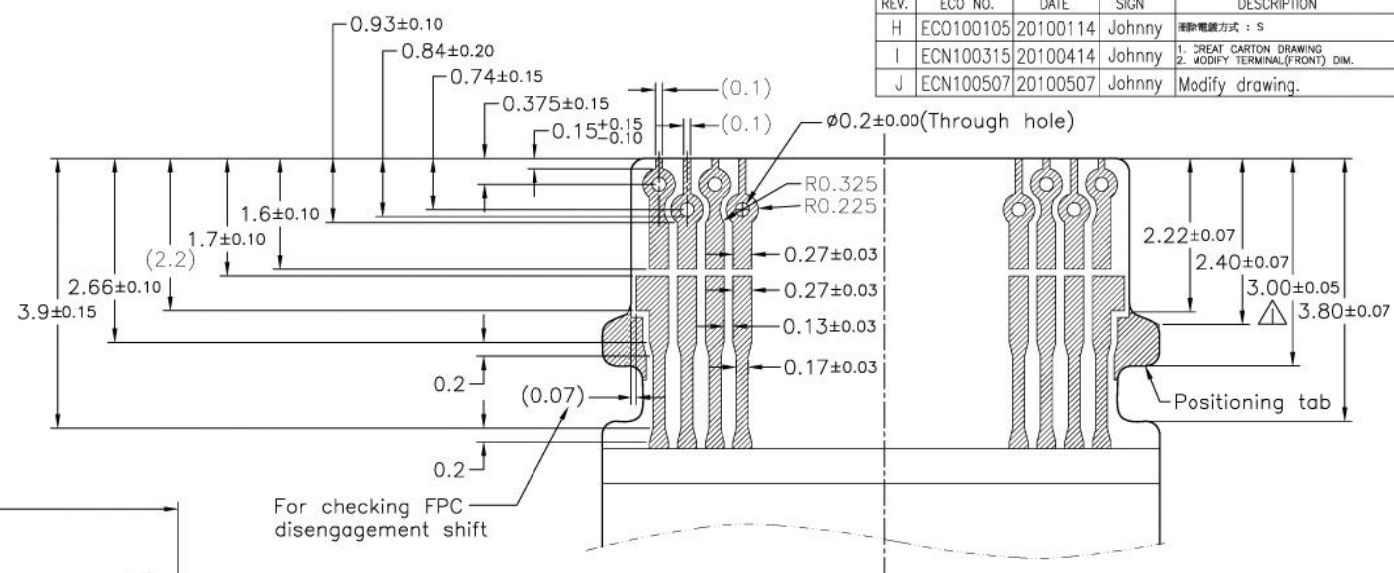
No. of Contacts	Part Number	DIM. A	DIM. B
024	BL140-024RL	6.54	4.4
034	BL140-034RL	8.54	6.4
040	BL140-040RL	9.74	7.6
044	BL140-044RL	10.54	8.4
050	BL140-050RL	11.74	9.6
060	BL140-060RL	13.74	11.6
068	BL140-068RL	15.34	13.2
070	BL140-070RL	15.74	13.6
080	BL140-080RL	17.74	15.6
090	BL140-090RL	19.74	17.6
100	BL140-100RL	21.74	19.6
120	BL140-120RL	25.74	23.6

TOLERANCE UNLESS SPECIFIED	SHEET 2/5	DR. BY Johnny	MATERIAL
LINEAR	ANGLE	SCALE 1/10	CHK. BY Robbie
XX XX	X° XX	UNIT mm	APP. BY Robbie
XXXXX	.XX° XX		PART NO.



TITLE	0.2 Pitch, H=1.2mm FPC Conn.
DWG NO.	BL140-xxxRL-TAx

REV.	ECO NO.	DATE	SIGN	DESCRIPTION
H	ECO100105	20100114	Johnny	請參閱電路方式 : s
I	ECN100315	20100414	Johnny	1. GREAT CARTON DRAWING 2. MODIFY TERMINAL(FRONT) DIM.
J	ECN100507	20100507	Johnny	Modify drawing.



No.of Contacts	Part Number	DIM. K	DIM. L	DIM. M
024	BL140-024RL	6.06	5.2	4.87
034	BL140-034RL	8.06	7.2	6.87
040	BL140-040RL	9.26	8.4	8.07
044	BL140-044RL	10.06	9.2	8.87
050	BL140-050RL	11.26	10.4	10.07
060	BL140-060RL	13.26	12.4	12.07
068	BL140-068RL	14.36	14.0	13.67
070	BL140-070RL	15.26	14.4	14.07
080	BL140-080RL	17.26	16.4	16.07
090	BL140-090RL	19.26	18.4	18.07
100	BL140-100RL	21.26	20.4	20.07
120	BL140-120RL	25.26	24.4	24.07

TOLERANCE UNLESS SPECIFIED	SHEET 3/5	DR. BY Johnny	MATERIAL
LINEAR	ANGLE	SCALE 1/10	FINISH
X XX	X' XX	CHK. BY Robbie	PART NO.
XX XX	X' XX	APP. BY Robbie	
.XXXX	.XX' XX	UNIT mm	

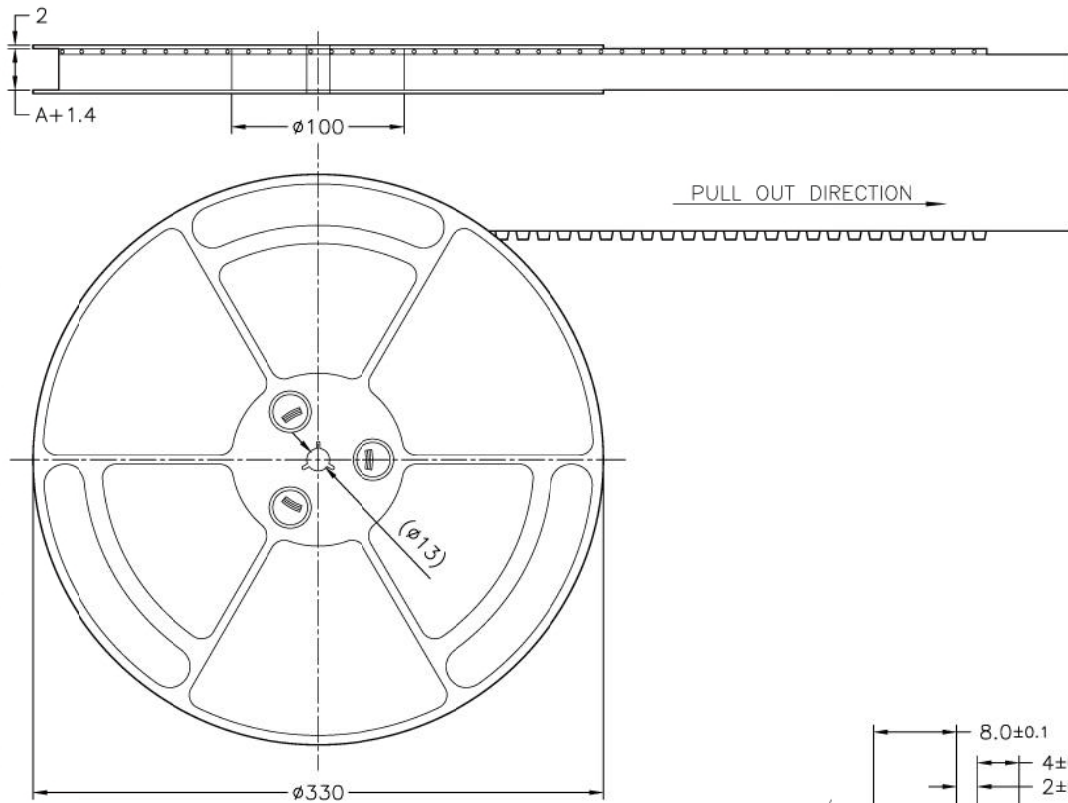
	TITLE	0.2 Pitch, H=1.2mm FPC Conn.
	DWG NO.	BL140-xxxRL-TAx

本產品不含有環境管理物質規定之有害物質

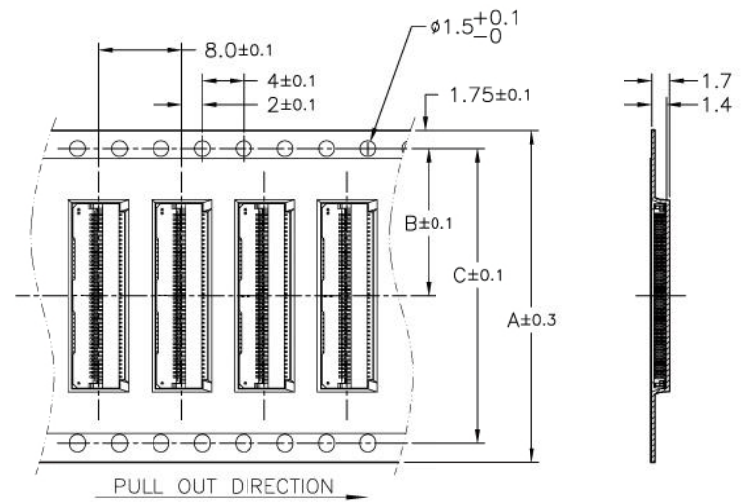
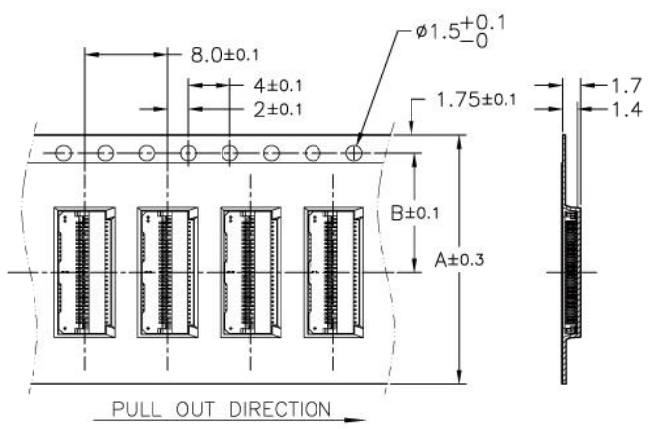
[MANAGEMENT REGULATIONS FOR THE RESTRICTIVELY-USED SUBSTANCES INCLUDED IN PARTS AND DEVICES]

EMBOSSED TAPE PACKING BL140 SERIES RIGHT ANGLE TYPE

REV.	ECO NO.	DATE	SIGN	DESCRIPTION
H	ECO100105	20100114	Johnny	聯絡電線方式 : 5
I	ECN100315	20100414	Johnny	1. GREAT CARTON DRAWING 2. MODIFY TERMINAL(FRONT) DIM.
J	ECN100507	20100507	Johnny	Modify drawing.



- Note:
- 1.10 sprocket hole pitch cumulative tolerance ± 0.2
 2. Carrier camber is within 1 mm in 250mm.
 3. Material : Black Conductive Polystyrene Alloy.
 4. All dimensions meet EIA-481-C requirements.
 5. Thickness : 0.3 ± 0.05 mm.
 6. Component load per 13" reel : 5000pcs.
 7. For tape width (dimension A) 24mm
a pilot hole is provided on one side.
For tape width (dimension A) 32 and 44mm
pilot holes are provided on both sides.



No. of Contacts	Part Number	DIM. A	DIM. B	DIM. C
024	BL140-024RL	24	7.5	—
034	BL140-034RL	24	11.5	—
040	BL140-040RL	24	11.5	—
070	BL140-070RL	24	11.5	—
080	BL140-080RL	32	14.2	28.4
090	BL140-090RL	44	20.2	40.4
120	BL140-120RL	44	20.2	40.4

TOLERANCE UNLESS SPECIFIED	SHEET 4/5	DR. BY Johnny	MATERIAL See Note 3.
LINEAR	ANGLE	SCALE	FINISH
X XX	X° XX	CHK. BY Robbie	
XX XX	X' XX	APP. BY Robbie	PART NO.
XXXXX	,XX' XX	UNIT mm	

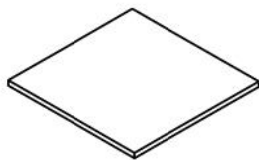
TITLE	0.2 Pitch, H=1.2mm FPC Conn.
DWG NO.	BL140-xxxRL-TAx

本部品不含有環境管理物質規定之有害物質

[MANAGEMENT REGULATIONS FOR THE RESTRICTIVELY-USED SUBSTANCES INCLUDED IN PARTS AND DEVICES]

REV.	ECO NO.	DATE	SIGN	DESCRIPTION
H	ECO100105	20100114	Johnny	更新電鍍方式 : 5
I	ECN100315	20100414	Johnny	1. GREAT CARTON DRAWING 2. MODIFY TERMINAL(FRONT) DIM.
J	ECN100507	20100507	Johnny	Modify drawing.

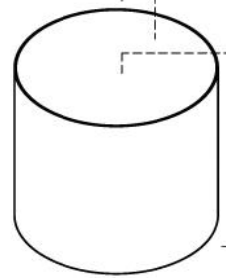
紙板(上)
Pasteboard(upper)
(2)



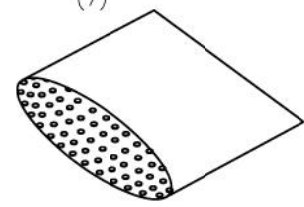
干燥劑
Drying Agent
(5)



塑膠袋
Plastic Bag
(4)

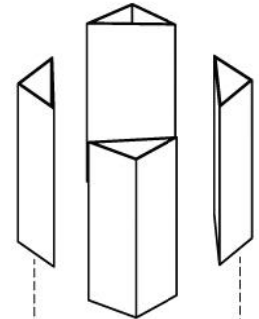


氣泡袋
Bubble Bag(upper)
(7)

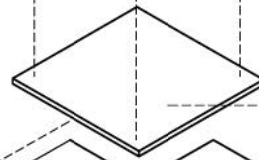


Tape & Reel
(6)

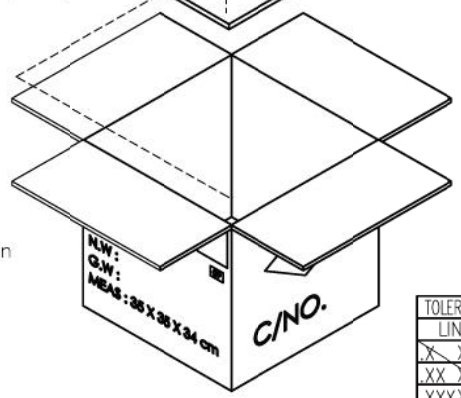
三角隔板
Triangle Partition
(3)



紙板(下)
Pasteboard(lower)
(2)

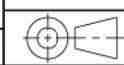


外箱
Carton
(1)



No. of Contacts	(1)外箱	(2)紙箱	(3)三角隔板	(4)塑膠袋	(5)干燥劑	(6)塑膠面盤	(7)氣泡袋
24	1	2	4	1	1	7	14
34	1	2	4	1	1	7	14
40	1	2	4	1	1	7	14
44	1	2	4	1	1	7	14
50	1	2	4	1	1	7	14
60	1	2	4	1	1	7	14
68	1	2	4	1	1	7	14
70	1	2	4	1	1	7	14
80	1	2	4	1	1	6	12
90	1	2	4	1	1	5	10
100	1	2	4	1	1	5	10
120	1	2	4	1	1	5	10

TOLERANCE UNLESS SPECIFIED		SHEET 5/5	DR. BY Johnny	MATERIAL
LINEAR	ANGLE	SCALE	CHK. BY Robbie	FINISH
.X XX	.X° XX	UNIT mm	APP. BY Robbie	PART NO.
.XX XX	.X° XX			
.XXXXX	.XX° XX			



TITLE	0.2 Pitch,H=1.2mm FPC Conn.
DWG NO.	BL140-xxxRL-TAx

本部品不含有環境管理物質規定之有害物質

[MANAGEMENT REGULATIONS FOR THE RESTRICTIVELY-USED SUBSTANCES INCLUDED IN PARTS AND DEVICES]