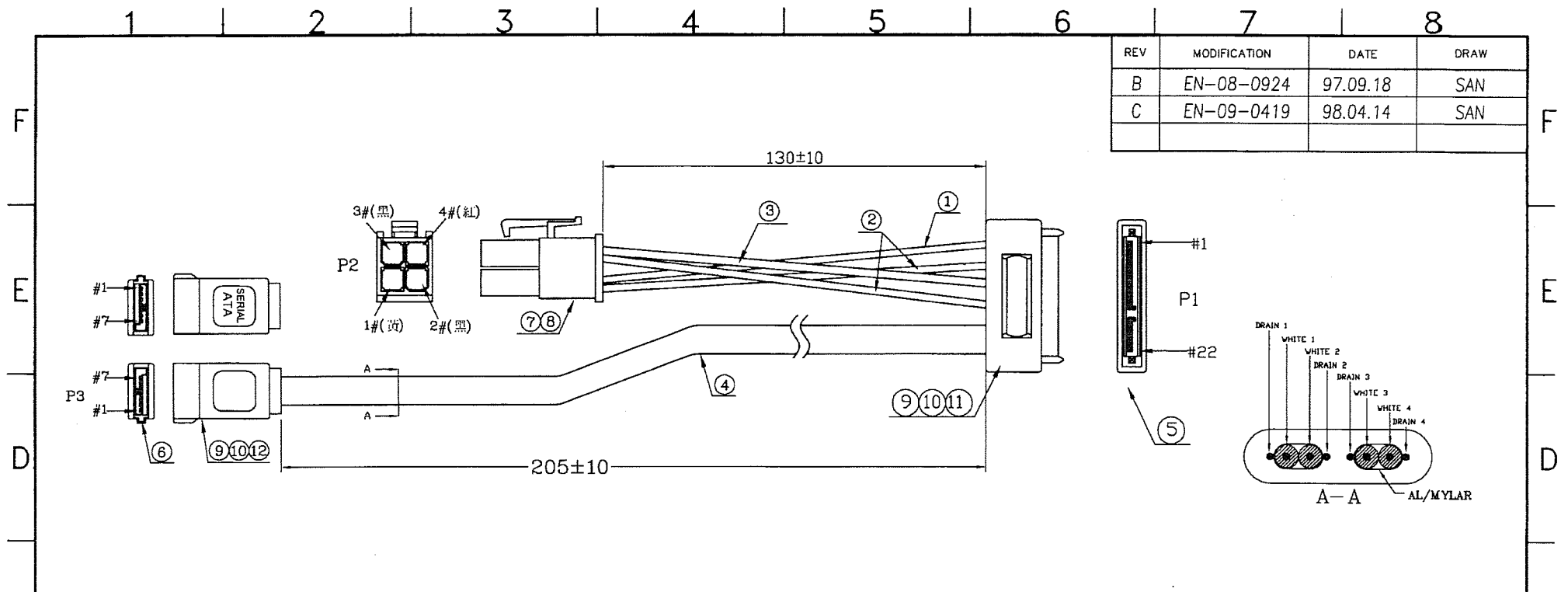
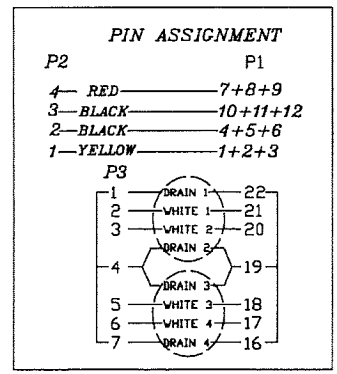


REV	MODIFICATION	DATE	DRAW
B	EN-08-0924	97.09.18	SAN
C	EN-09-0419	98.04.14	SAN



NO	DESCRIPTION	QTY	UNIT
12	PVC-BLACK I0/30P	4.5	G
11	PP料/BLACK	14	G
10	PVC-IN	6.5	G
9	SDL-WIRE-FULL-PIN-1.0	0.25	G
8	TERMINAL:YY5700-T(TIN)	4	PCS
7	HOUSING:YY5700-H04P(WH)	1	PCS
6	SERIAL ATA:7S/BLACK (MOLDING TYPE)	1	SET
5	SERIAL ATA:22PIN<W/D-SHELL>/BLACK(SOLDERING TYPE)	1	SET
4	[<26*2C+AL/MY>+DRAIN*2]*2-RED I0 -2.2*7.6U21149 (2C扁平)	0.49/2	M
3	JUMP WIRE:18-RED-U1007	4.5*160*2	MM
2	JUMP WIRE:18-BLACK-U1007	4.5*160*2	MM
1	JUMP WIRE:18-YELLOW-U1007	4.5*160*2	MM



ORDER INFORMATION

CABE-SATA22P-20A-G

COMPLY TO RoHS

DIMENSION IN mm [Inch]	PROD. SPEC.	TITLE CABLE		CUSTOMER DRAWING
TOLERANCE UNLESS OTHERWISE SPECIFIED	PKG. SPEC.	FILE NO.	DWG NO. CABE-SATA22P-20A-G	
.X±0.30 X'±	APPROVE <i>Gamm</i>	SIZE A4	PROJ.	SHEET 1 / 1
.XX±0.20 .X'±	CHECK <i>Long</i>	SCALE 1:1	REV C	
.XXX±0.10 XX'±	DRAW <i>San</i>			