

PART NO. SEE TABLE 1

REVISIONS			
LTR	DESCRIPTION	Drawing	DATE
N	ADD PART NO.	Jun.L	03/30/09
□	CHANGE PART NO.	Jun.L	05/27/09
P	UPDATE DRAWING	Jun.L	10/25/11
R	ADD BRANCH	Jun.L	02/16/12

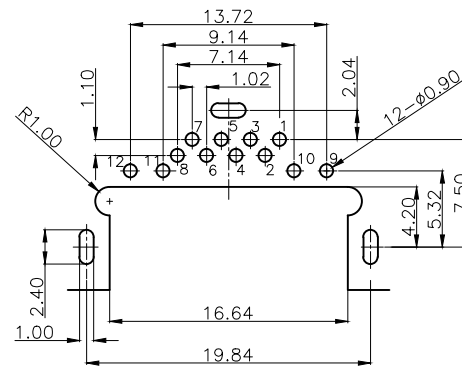
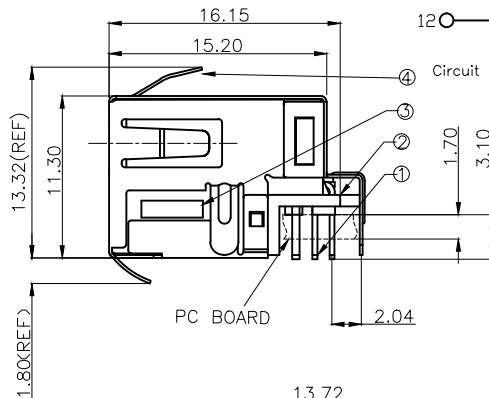
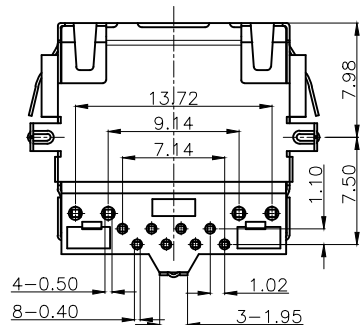
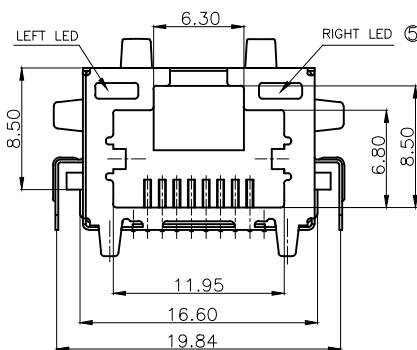
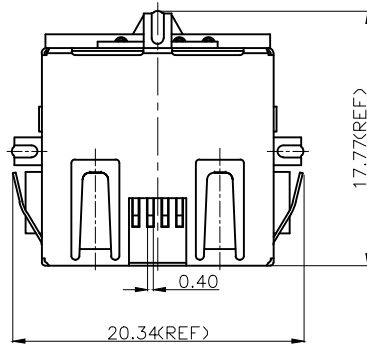
TABLE 1

NO.	PART NO.	PLATING	MATERIAL	LED	MARK	PACKING
10	006-01-00021	30u"	LCP	Green	NONE	TRAY
9	006-01-00019	30u"	PA	LEFT:AMBER+GREEN,RIGHT:GREEN		
8	006-01-00008	30u"	PA	Green		
7	006-01-00007	15u"	PA			
6	006-01-00006	30u"	PA	LEFT:YELLOW,RIGHT:GREEN		
5	006-01-00005	15u"	PA	LEFT:YELLOW,RIGHT:GREEN		
4	006-01-00016	30u"	PA	LEFT:GREEN,RIGHT:AMBER		
3	006-01-00015	15u"	PA	LEFT:GREEN,RIGHT:AMBER		
2	006-01-00017	30u"	PA	LEFT:GREEN,RIGHT:AMBER+GREEN		
1	006-01-00018	15u"	PA	LEFT:GREEN,RIGHT:AMBER+GREEN		

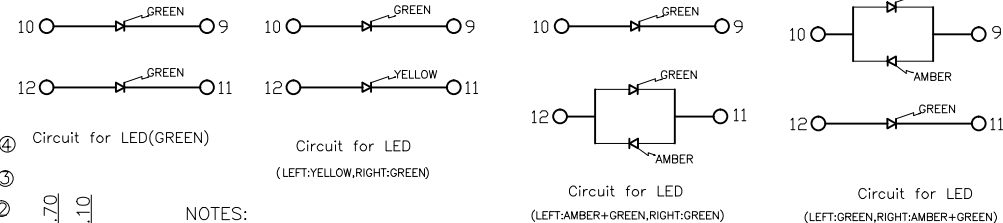
TABLE 3

STANDARD(LED)	Wave Length	V(Max)	V(TYP)
Yellow	585nm	2.5V	2.1V
Green	565nm	2.5V	2.2V
AMBER	605nm	2.5V	2.1V

•With a forward current of 20 mA



RECOMMENDED PC BOARD LAYOUT
TOLERANCE:±0.05mm[TOP VIEW]
THICKNESS:1.70mm



NOTES:

- 1,MATERIAL:SEE TABLE 2.
- 2,FINISH:
SHELL: 50U"MIN NICKEL PLATED ALL OVER
CONTACT: GOLD PLATED IN TERMINAL ARER,100U" MIN MISTY TIN PLATED IN TAILS ARER,NICKEL UNDERPLATED ALL OVER;
- 3,SPECIFICATIONS:
(1) DURABILITY:750 MATING CYCLES.
(2) CURRENT RATING: 0.5A
(3) CONTACT RESISTANCE:INITIAL 30mOHM MAX;FINAL 40mOHM MAX
(4) INSULATION RESISTANCE: 100M OHM MIN(AT 500 V DC)
(5) DIELECTRIC WITHSTANDING VOLTAGE: 500V AC FOR 1 MINUTE
(6) OPERATING TEMPERATURE:-25°C~+85°C
- 4, PRODUCT SPECIFICATION REFERENCE TO SONTETK-S0003.

TABLE 2

NO	PART NAME	PART MATERIAL	QUANTITY	NOTES
5	LED		2PCS	SEE TABLE3
4	SHELL	COPPER ALLOY	1PCS	Ni for all area plated
3	BASE	HIGH TEMPERATURE THERMOPLASTIC	1PCS	Color:Black
2	COVER	HIGH TEMPERATURE THERMOPLASTIC	1PCS	Color:Black
1	CONTACT	COPPER ALLOY	8PCS	15u"/30u" gold min for plated

APPROVALS		DATE	TITLE:		
DRAWN	Jun.L	02/16/12	RJ45-8P(RECEPTACLE) 三支腳常規型 WITHOUT LOGO		
CHECKED			SIZE	SCALE :	DRAWING NO.
APPROVALS			mm	1 : 1	000166
			REV.	R	
			ID NO	XXXXXXXXXX	SHEET 1 OF 1